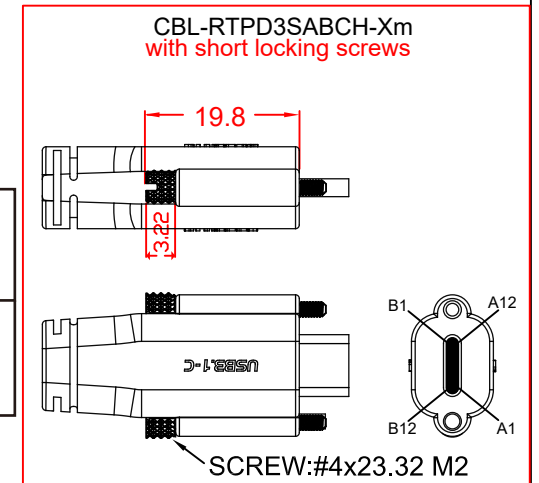
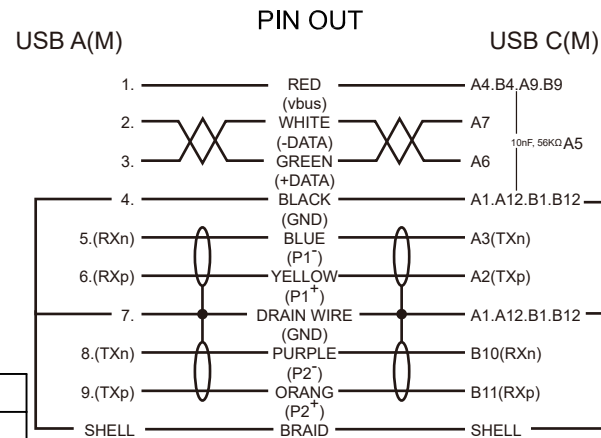


L:

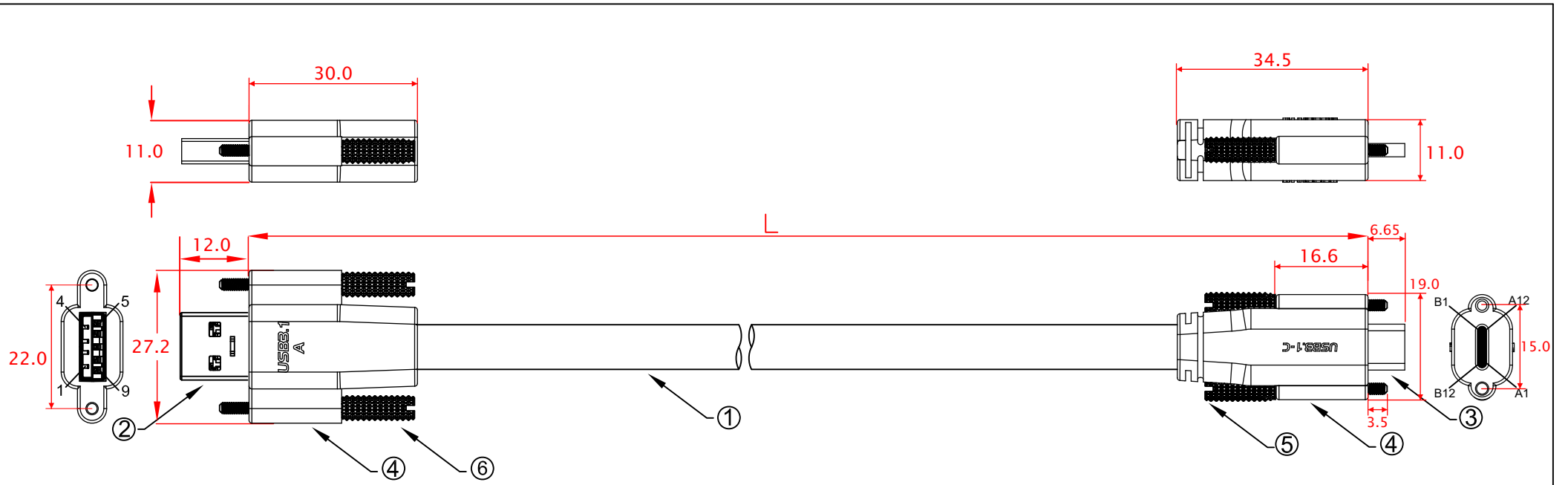
CBL-RTPD3SABCS-1m	1000mm±10mm
CBL-RTPD3SABCS-2m	2000mm±20mm
CBL-RTPD3SABCS-3m	3000mm±20mm
CBL-RTPD3SABCS-4m	4000mm±30mm
CBL-RTPD3SABCS-5m	5000mm±30mm



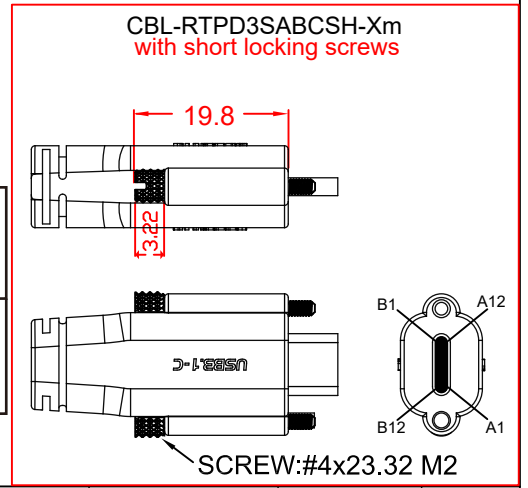
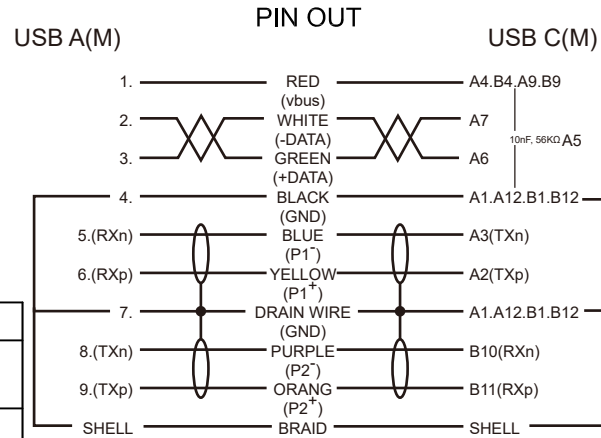
No	MATERIALS LIST:
1.	CABLE: 3 x (2 x 26 AWG)ST + 2 x 24 AWG O.D.:8.0mm COLOR:BLACK
2.	CONNECTOR:USB 3.0 A/M, 9P, BLUE INSULATOR SOLDER TYPE, NICKEL PLATED SHELL
3.	CONNECTOR:USB 3.1 TYPE-C, MALE, NICKEL PLATED SHELL
4.	PVC MOLDED HOUSING, BLACK COLOR
5.	SCREW:#4x33 M2

Jargy part no.	Client part no.	Approved	SCALE	UNIT
CBL-RTPD3SABCS-xm				mm
Drawing Name		Drawn	Date	REV.
USB 3.1 GEN 1 A to C Cable M/M				1.0

**Mobile Computing JARGY**

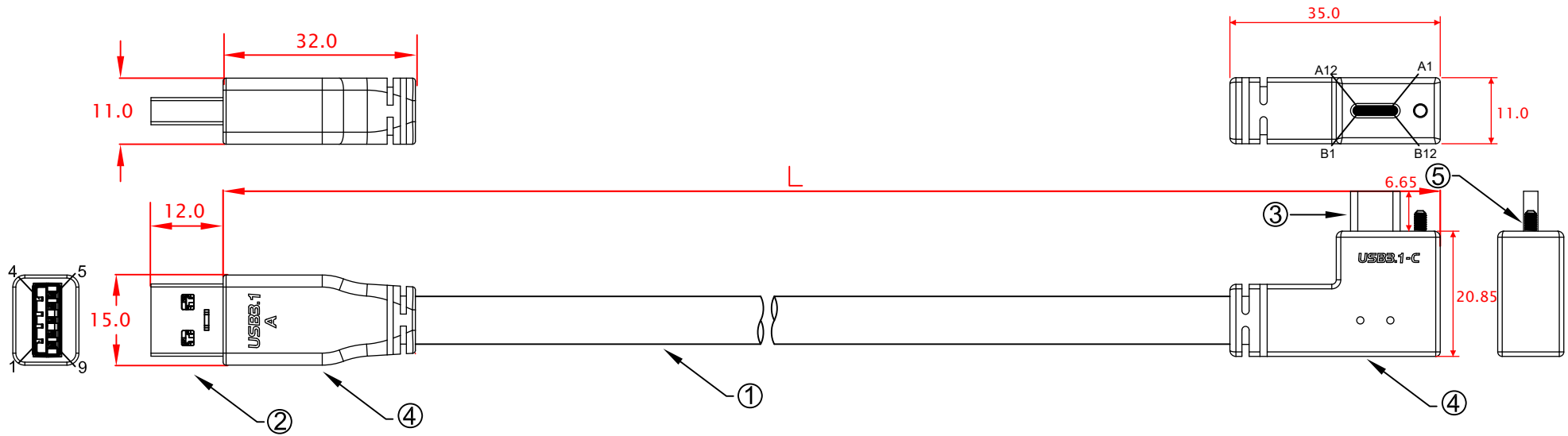


- L:
- CBL-RTPD3SABCSS-1m 1000mm±10mm
  - CBL-RTPD3SABCSS-2m 2000mm±20mm
  - CBL-RTPD3SABCSS-3m 3000mm±20mm
  - CBL-RTPD3SABCSS-4m 4000mm±30mm
  - CBL-RTPD3SABCSS-5m 5000mm±30mm

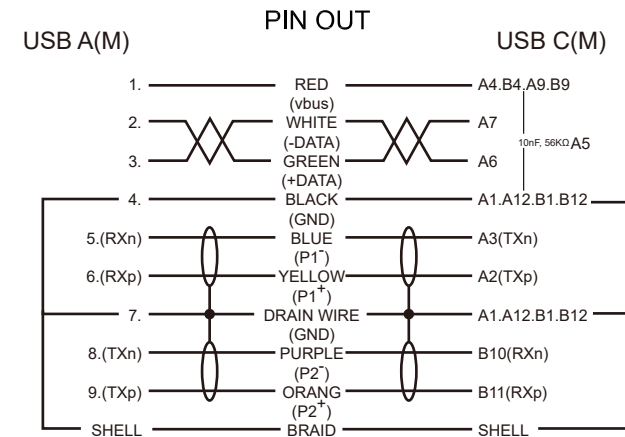


No	MATERIALS LIST:
1.	CABLE: 3 x (2 x 26 AWG)ST + 2 x 24 AWG O.D.:8.0mm COLOR:BLACK
2.	CONNECTOR:USB 3.0 A/M, 9P, BLUE INSULATOR SOLDER TYPE, NICKEL PLATED SHELL
3.	CONNECTOR:USB 3.1 TYPE-C, MALE, NICKEL PLATED SHELL
4.	PVC MOLDED HOUSING, BLACK COLOR
5.	SCREW:#4x33 M2
6.	SCREW:#4x34.5 M2

Jargy part no.	Client part no.	Approved	SCALE	UNIT
CBL-RTPD3SABCSS-xm				mm
Drawing Name		Drawn	Date	REV.
USB 3.1 GEN 1 A to C Cable M/M				1.0

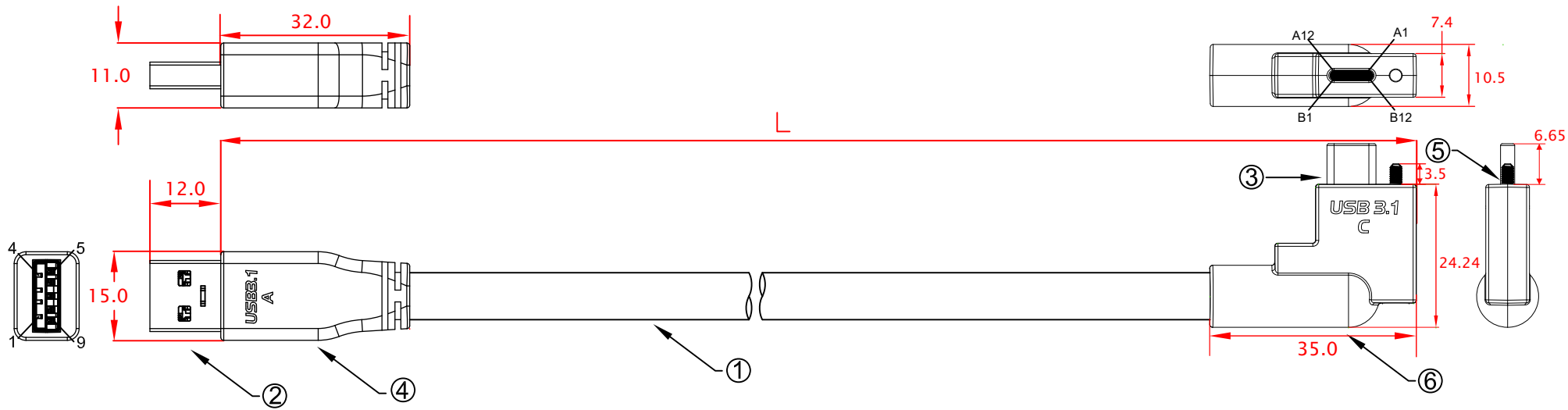


- L:
- |                      |             |
|----------------------|-------------|
| CBL-RTPD3SABCH-1mLRA | 1000mm±10mm |
| CBL-RTPD3SABCH-2mLRA | 2000mm±20mm |
| CBL-RTPD3SABCH-3mLRA | 3000mm±20mm |
| CBL-RTPD3SABCH-4mLRA | 4000mm±30mm |
| CBL-RTPD3SABCH-5mLRA | 5000mm±30mm |

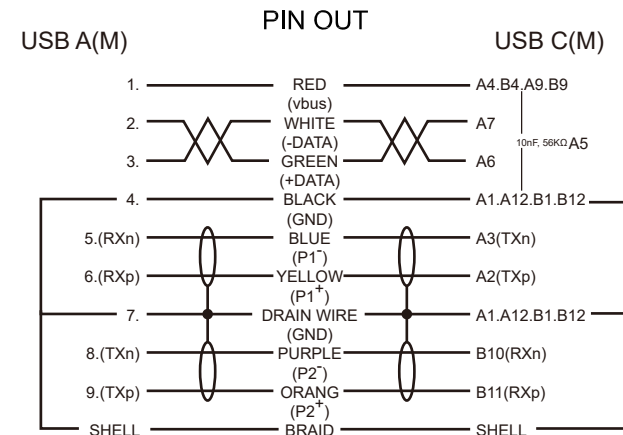


No	MATERIALS LIST:
1.	CABLE: 3 x (2 x 26 AWG)ST + 2 x 24 AWG O.D.:8.0mm COLOR:BLACK
2.	CONNECTOR:USB 3.0 A/M, 9P, BLUE INSULATOR SOLDER TYPE, NICKEL PLATED SHELL
3.	CONNECTOR:USB 3.1 TYPE-C, MALE, NICKEL PLATED SHELL
4.	PVC MOLDED HOUSING, BLACK COLOR
5.	SCREW:#4x23.32 M2

Jargy part no.	Client part no.	Approved	SCALE	UNIT
CBL-RTPD3SABCH-xmLRA				mm
Drawing Name		Drawn	Date	REV.
USB 3.1 GEN 1 A to C Cable M/M				1.0

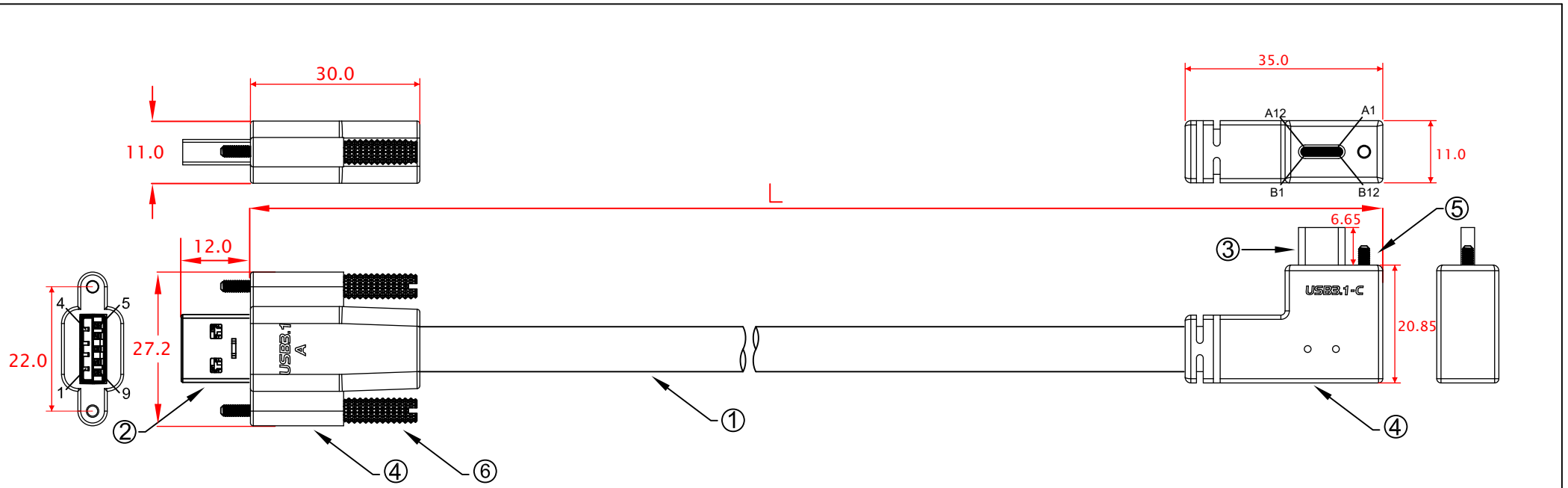


- L:
- CBL-RTPD3SABCHN-1mLRA 1000mm±10mm
  - CBL-RTPD3SABCHN-2mLRA 2000mm±20mm
  - CBL-RTPD3SABCHN-3mLRA 3000mm±20mm
  - CBL-RTPD3SABCHN-4mLRA 4000mm±30mm
  - CBL-RTPD3SABCHN-5mLRA 5000mm±30mm

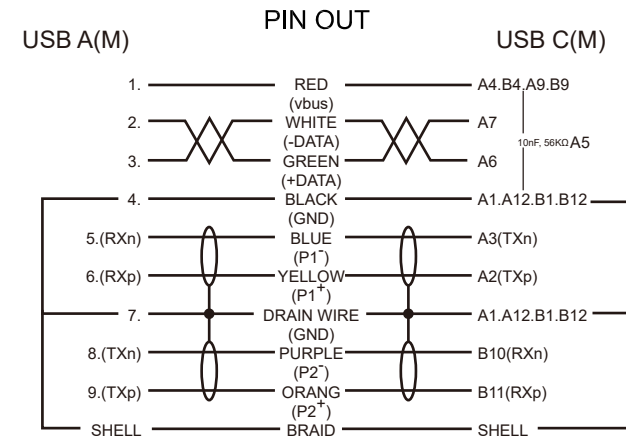


No	MATERIALS LIST:
1.	CABLE: 3 x (2 x 26 AWG)ST + 2 x 24 AWG O.D.:8.0mm COLOR:BLACK
2.	CONNECTOR:USB 3.0 A/M, 9P, BLUE INSULATOR SOLDER TYPE, NICKEL PLATED SHELL
3.	CONNECTOR:USB 3.1 TYPE-C, MALE, NICKEL PLATED SHELL
4.	PVC MOLDED HOUSING, BLACK COLOR
5.	SCREW:#4x23.32 M2
6.	ABS ASSEMBLY HOUSING, BLACK COLOR

Jargy part no.	Client part no.	Approved	SCALE	UNIT
CBL-RTPD3SABCHN-xmLRA				mm
Drawing Name		Drawn	Date	REV.
USB 3.1 GEN 1 A to C Cable M/M				1.0

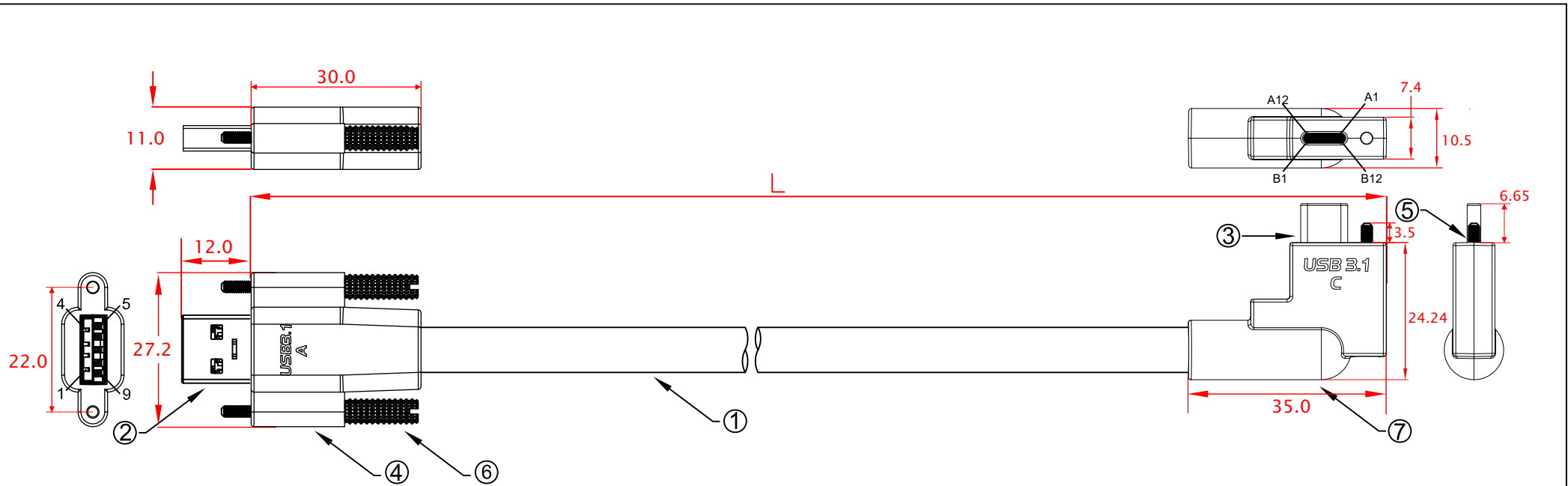


- L:
- CBL-RTPD3SABCSH-1mLRA 1000mm±10mm
  - CBL-RTPD3SABCSH-2mLRA 2000mm±20mm
  - CBL-RTPD3SABCSH-3mLRA 3000mm±20mm
  - CBL-RTPD3SABCSH-4mLRA 4000mm±30mm
  - CBL-RTPD3SABCSH-5mLRA 5000mm±30mm

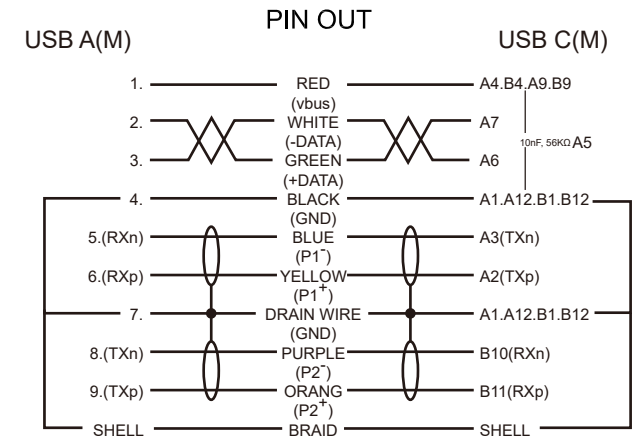


No	MATERIALS LIST:
1.	CABLE: 3 x (2 x 26 AWG)ST + 2 x 24 AWG O.D.:8.0mm COLOR:BLACK
2.	CONNECTOR:USB 3.0 A/M, 9P, BLUE INSULATOR SOLDER TYPE, NICKEL PLATED SHELL
3.	CONNECTOR:USB 3.1 TYPE-C, MALE, NICKEL PLATED SHELL
4.	PVC MOLDED HOUSING, BLACK COLOR
5.	SCREW:#4x23.32 M2
6.	SCREW:#4x34.5 M2

Jargy part no.	Client part no.	Approved	SCALE	UNIT
CBL-RTPD3SABCSH-xmLRA				mm
Drawing Name		Drawn	Date	REV.
USB 3.1 GEN 1 A to C Cable M/M				1.0

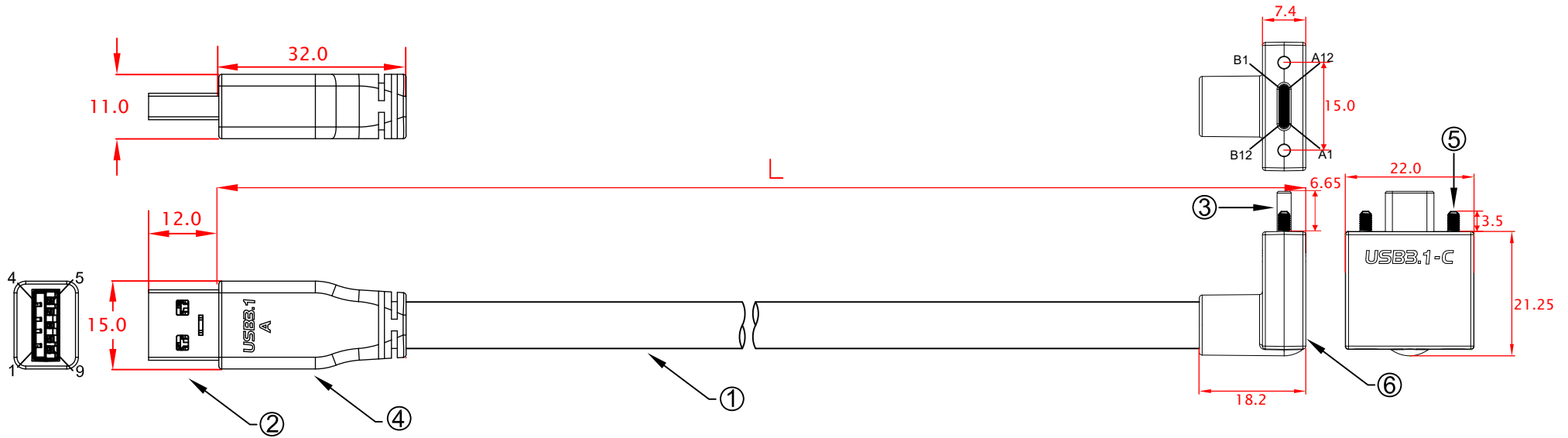


- L:
- CBL-RTPD3SABCSHN-1mLRA 1000mm±10mm
  - CBL-RTPD3SABCSHN-2mLRA 2000mm±20mm
  - CBL-RTPD3SABCSHN-3mLRA 3000mm±20mm
  - CBL-RTPD3SABCSHN-4mLRA 4000mm±30mm
  - CBL-RTPD3SABCSHN-5mLRA 5000mm±30mm

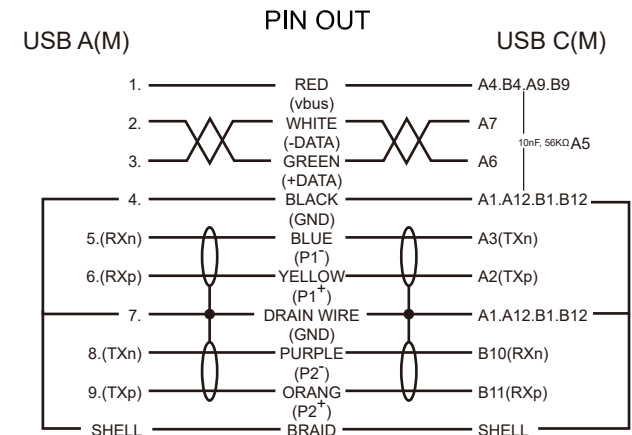


No	MATERIALS LIST:
1.	CABLE: 3 x (2 x 26 AWG)ST + 2 x 24 AWG O.D.:8.0mm COLOR:BLACK
2.	CONNECTOR:USB 3.0 A/M, 9P, BLUE INSULATOR SOLDER TYPE, NICKEL PLATED SHELL
3.	CONNECTOR:USB 3.1 TYPE-C, MALE, NICKEL PLATED SHELL
4.	PVC MOLDED HOUSING, BLACK COLOR
5.	SCREW:#4x23.32 M2
6.	SCREW:#4x34.5 M2
7.	ABS ASSEMBLY HOUSING, BLACK COLOR

Jargy part no.	Client part no.	Approved	SCALE	UNIT
CBL-RTPD3SABCSHN-xmLRA				mm
Drawing Name		Drawn	Date	REV.
USB 3.1 GEN 1 A to C Cable M/M				1.0

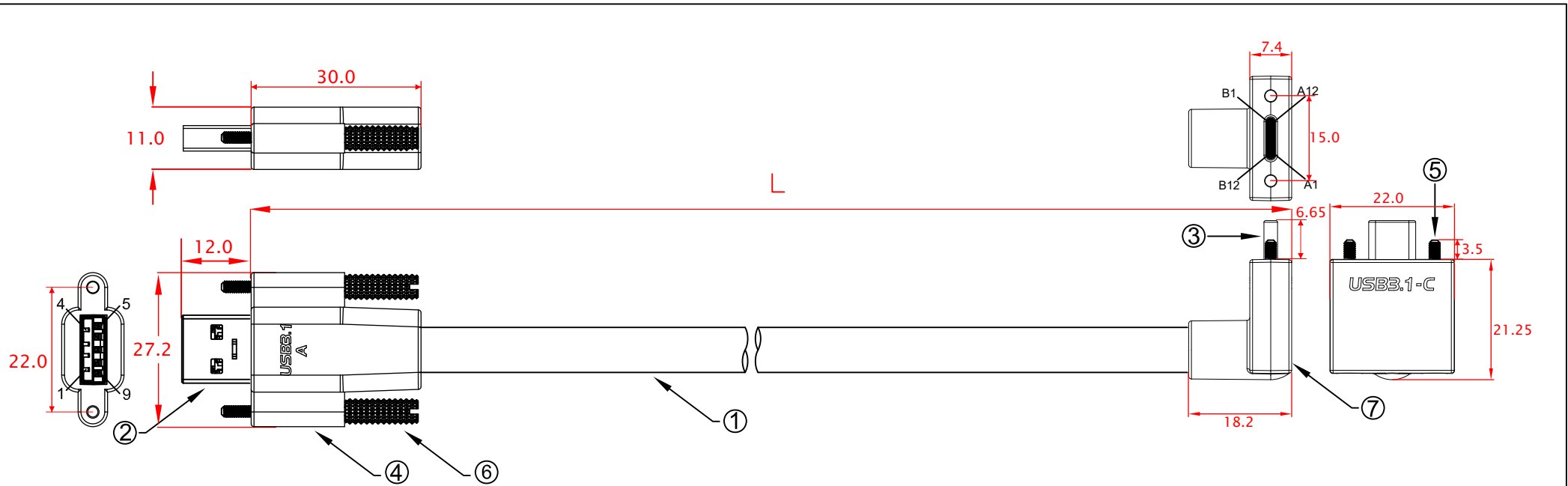


- L:
- CBL-RTPD3SABCHN-1mUDA 1000mm±10mm
  - CBL-RTPD3SABCHN-2mUDA 2000mm±20mm
  - CBL-RTPD3SABCHN-3mUDA 3000mm±20mm
  - CBL-RTPD3SABCHN-4mUDA 4000mm±30mm
  - CBL-RTPD3SABCHN-5mUDA 5000mm±30mm

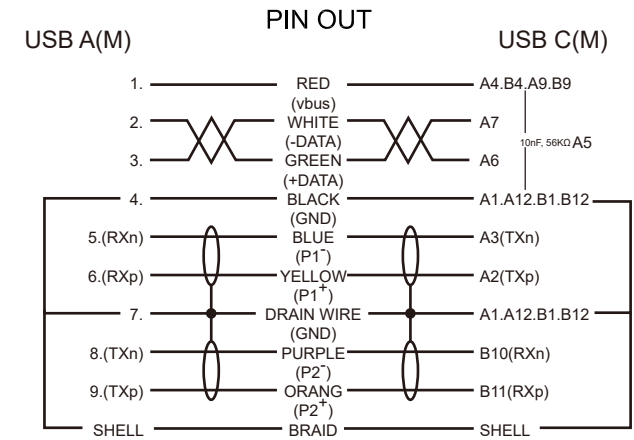


No	MATERIALS LIST:
1.	CABLE: 3 x (2 x 26 AWG)ST + 2 x 24 AWG O.D.:8.0mm COLOR:BLACK
2.	CONNECTOR:USB 3.0 A/M, 9P, BLUE INSULATOR SOLDER TYPE, NICKEL PLATED SHELL
3.	CONNECTOR:USB 3.1 TYPE-C, MALE, NICKEL PLATED SHELL
4.	PVC MOLDED HOUSING, BLACK COLOR
5.	SCREW:#4x23.32 M2
6.	ABS ASSEMBLY HOUSING, BLACK COLOR

Jargy part no.	Client part no.	Approved	SCALE	UNIT
CBL-RTPD3SABCHN-xmUDA				mm
Drawing Name		Drawn	Date	REV.
USB 3.1 GEN 1 A to C Cable M/M				1.0



- L:  
 CBL-RTPD3SABCSHN-1mUDA 1000mm±10mm  
 CBL-RTPD3SABCSHN-2mUDA 2000mm±20mm  
 CBL-RTPD3SABCSHN-3mUDA 3000mm±20mm  
 CBL-RTPD3SABCSHN-4mUDA 4000mm±30mm  
 CBL-RTPD3SABCSHN-5mUDA 5000mm±30mm



No	MATERIALS LIST:
1.	CABLE: 3 x (2 x 26 AWG)ST + 2 x 24 AWG O.D.:8.0mm COLOR:BLACK
2.	CONNECTOR:USB 3.0 A/M, 9P, BLUE INSULATOR SOLDER TYPE, NICKEL PLATED SHELL
3.	CONNECTOR:USB 3.1 TYPE-C, MALE, NICKEL PLATED SHELL
4.	PVC MOLDED HOUSING, BLACK COLOR
5.	SCREW:#4x23.32 M2
6.	SCREW:#4x34.5 M2
7.	ABS ASSEMBLY HOUSING, BLACK COLOR

Jargy part no.	Client part no.	Approved	SCALE	UNIT
CBL-RTPD3SABCSHN-xmUDA				mm
Drawing Name		Drawn	Date	REV.
USB 3.1 GEN 1 A to C Cable M/M				1.0